

E5 Cam Latch

Zinc · Cylinder lock · Fixed grip

Features

- Single hole install
- Latched / unlatched indicator
- NEMA 4 / IP65 achieved using supplied gasket

Material

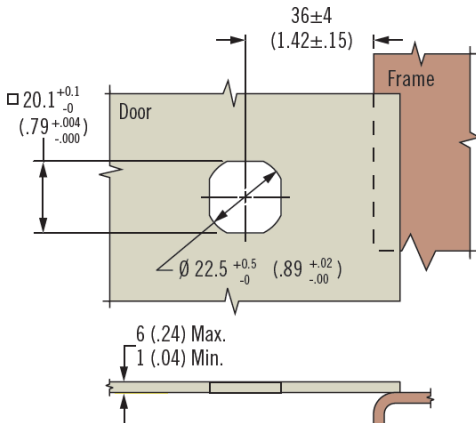
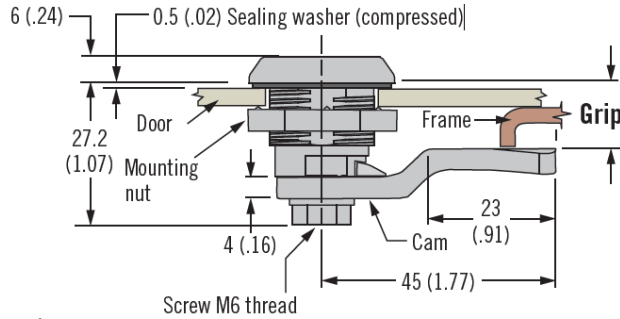
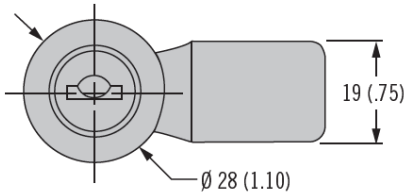
- Zinc alloy, powder coated and steel, zinc plated
- Scalp stainless steel

Product Performance

- Maximum static load: 330 N
- Mounting nut maximum tightening torque: 10 N.m
- Screw maximum tightening torque: 5 N.m



Cylinder Lock



F Finish

- 2 Bright chrome
- 5 Black powder coated

K Key options CH751

- 0 No keys supplied (order separately)
- 2 2 Flat keys supplied

Latch Part Number
(no cam)

E5 - 5 - 40 F - UU1 - 1 K

southco®

We are proud to be Southco's
authorized distributor of over 20 years

Cam Part Number Table (order separately from latch)

Grip	Part Number	Grip	Part Number	Grip	Part Number	Grip	Part Number
4 (.16)	E5-6003	14 (.55)	E5-6008	24 (.94)	E5-6013	34 (1.34)	E5-6018
6 (.24)	E5-6004	16 (.63)	E5-6009	26 (1.02)	E5-6014	36 (1.42)	E5-6019
8 (.31)	E5-6005	18 (.71)	E5-6010	28 (1.10)	E5-6015	38 (1.50)	E5-6020
10 (.39)	E5-6006	20 (.79)	E5-6011	30 (1.18)	E5-6016	40 (1.57)	E5-6021
12 (.47)	E5-6007	22 (.87)	E5-6012	32 (1.25)	E5-6017	42 (1.65)	E5-6022